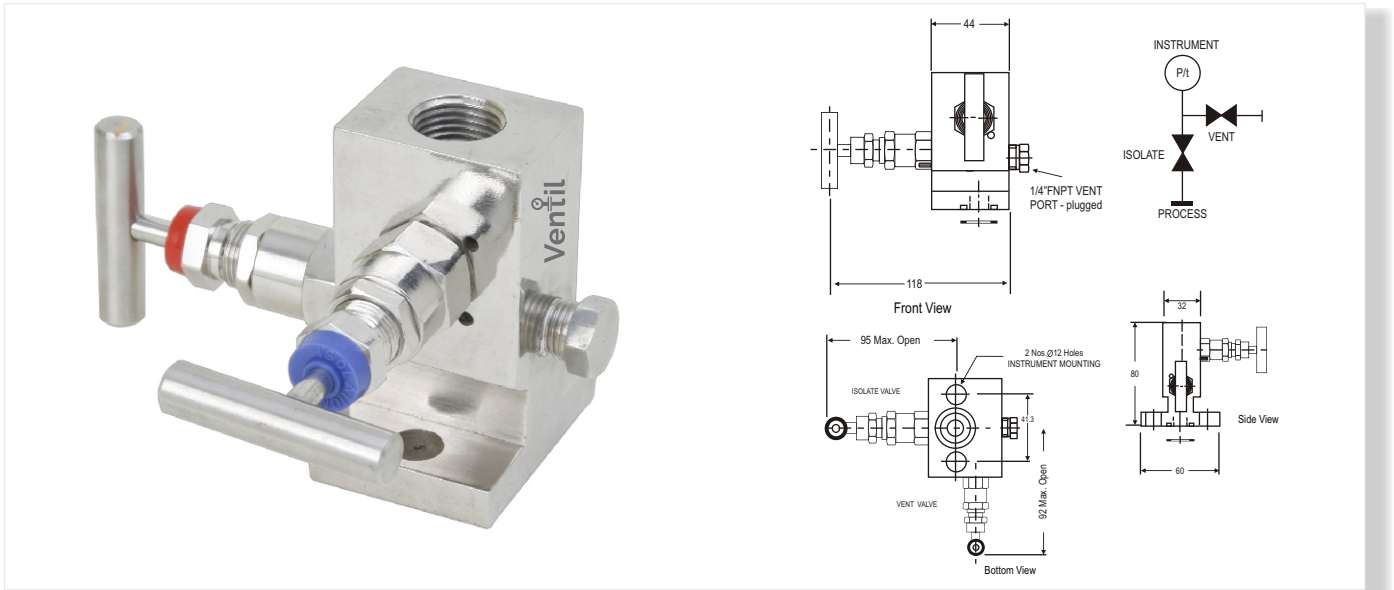


TWO VALVE MANIFOLDS

DIRECT MOUNT (PIPE TO FLANGE)

MODEL CODE : K2VQ

With threaded horizontal port inlet on the front side and Flange outlet on the back side, test connection on the body. The isolating bonnet are positioned on the left and right hand side and the Equalizing Bonnet is positioned on the top.



Standard Connection

Product	Process side	Instrument side	Vent/Test
K2VQ	1/2" NPT female	Flange	1/4" NPT female

Specifications - Standard Version K2VQ

Body	: SS 316
Stem	: SS 316
Valve assembly	: SS 316
'T' bar handle	: SS 304
Maximum working pressure	: 6000 PSI
Maximum working temperature	: 240°C
Packing	: PTFE
Type of stem	: Type CT; Stem with conical metal tip
Drain port	: 1/4" NPT [F]; provided with SS 316 plug
Hard Chrome plating	: Provided on stem tip

HOW TO ORDER

BASIC MODEL : K2VQ

Body Material	Stem Type	Stem Packing	Size = Inlet x Outlet	Connections	Threads
C = Carbon Steel	CT	P = PTFE	2F = 1/4"x Flange	FD = Female x Flange	N = NPT (ANSI B 1.20.1)
S = SS 316	DS	G = Grafoil	3F = 3/8"x Flange		P = BSPP (BS 2779, ISO 228/1)
S4 = SS 304			4F = 1/2"x Flange (std)		B = BSPT (BS 21, ISO 7/1)
SL = SS 316L					
M4 = Monel 400					
M5 = Monel 500					
H = Hastelloy C					

MODEL CODE : K2VQ

OPTIONS

- IE : Handle circular.
- TF : Compliance to NACE standard MR-0175.
- SG : For Oxygen service, valves are supplied cleaned, degreased and suitably packed.
- GH : Material test certificate
- GO : Hydro test certificate
- MB : Mounting Bracket
- MBC : Mounting bolts (7/16" UNF) in carbon steel (Model : MBC - M45, MBC - M25)
- MBS : Mounting bolts (7/16" UNF) in SS (Model : MBS - M45, MBS - M25)
- PRF : PTFE Ring For Flange Seal
- GRF : Grafoil Ring For Flange Seal
- ATV : Anti Tamper valve
- ATK : Anti Tamper key

Ordering Example:

To place an order simply refer to the codes in the table.

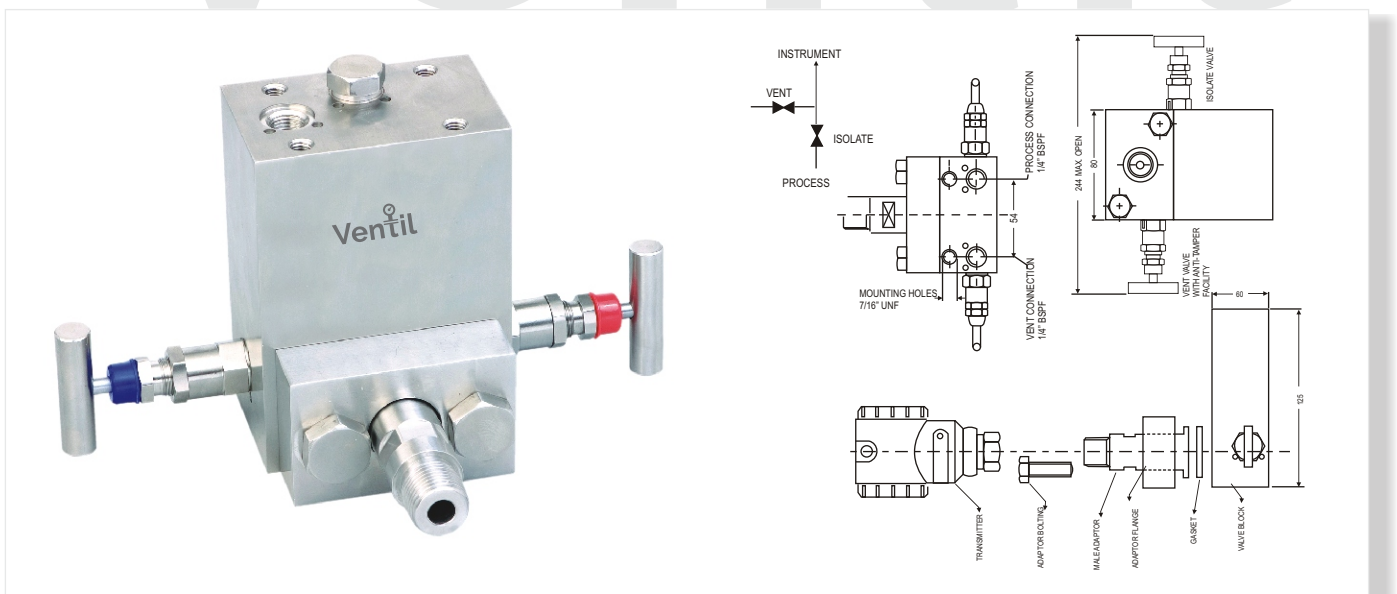
Valve Type : Body Material + Stem Type + Stem Packing + Size + Connections + Threads + Options
K2VQ + S + CT + P + 4F + FD + N + GH = K2VQ-S-CT-P-4F-FD-N-GH

NOTE:

- The weld prepared types are available with female plain end - suitable for socket weld.
- Anti-tamper bonnet - special design on request with locking arrangement if desired.

MODEL CODE : K2VR

Special two valve manifold designed to accommodate threaded direct transmitters and pressure instruments with inlet at front and outlet on top, vent/test connection at front; venting bonnet at left side and isolating bonnet at right.



HOW TO ORDER

BASIC MODEL : K2VR

Please Consult Factory

